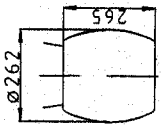
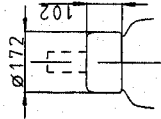


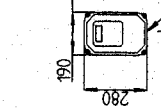
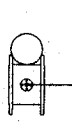
Shield oil-side  
(Additional accessories)  
LF 170 046-U or  
LF 170 046-OP



Shield SF6-side  
(Additional accessories)  
LF 170 046-F



Circuit diagram  
5663 176-3



44

7 (4x)

150

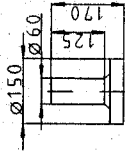
2000

98

Pr 225 (3x)

Pressure supervision equipment  
LF 410 024-K or LF 410 024-L  
(Additional accessories)

Terminal stud SF6-side  
(Additional accessories)

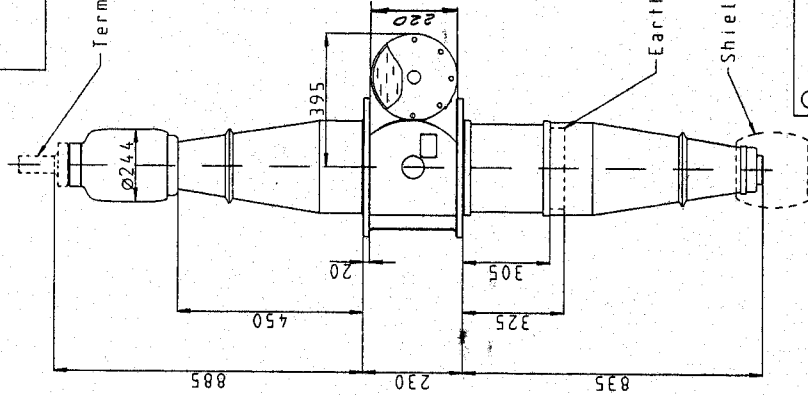


LF 170 050-AA (Al)  
or  
LF 170 050-AL (Cu/Ag)

M12 (4x)

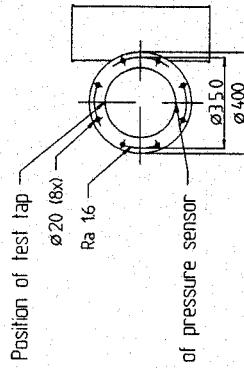
LF 170 050-AH

We reserve all rights in this document. In the information contained therein, reproduction, use or disclosure to third parties without express authority is strictly forbidden.  
© ABB 19



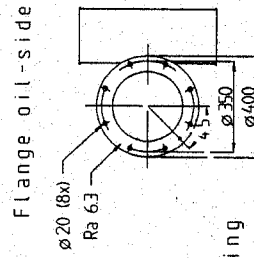
Terminal stud SF6-side

Flange SF6-side



Position of test tap

Position of pressure sensor



Flange oil-side

M12 For earthing

device

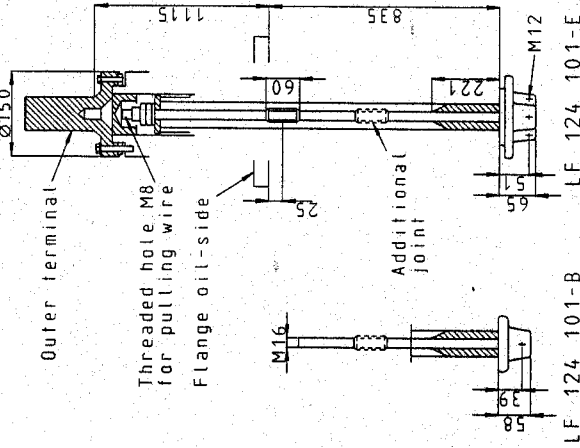
Electrical data

Ratings	Rated voltage	245 kV
	Max. phase to ground	170 kV
	Rated current Vertical	2500 A
	Rated current Horizontal	1600 A
Test voltages	Lighting impulse	1050 kV
	Switching impulse	850 kV
Routine test	Power frequency	460 kV

ABB Components AB

Bushing GOEK 1050	No.	Horiz. 1600 A
	Un/Uy	245/170 kV Vert. 2500 A
	Test	L1/SI/AC 1050/850/460 kV
	Year	L 835 mm M 180 kg PF
	PF	%C1/C2

Drawrod system



Outer terminal

Threaded hole M8 for pulling wire

Flange oil-side

Additional joint

LF 124 101-B

LF 124 101-E

Catalogue number: LF 124 001-B

Accepted by qual	Accepted for prod by	Description (English)	DATA ORIGINAL
Design checked by HEYMAN	Drawn by ANDERSSON	GOEK 1050 FE-300	File name
Drawing checked by JONSSON	Issued by/Year/Week COM/BK 94, 26	Description (Swedish)	Long Sheet
			Rev
			Cont

ABB ABB Components

2753 015-22

7	220 added	16	99	51
Rev Ind	Revision	Month	Year	Week